

Secure 2-port, Dual-head DP/HDMI KVM switch with dedicated CAC port & 4K Ultra-HD support



## KEY FEATURES

- Supports Windows, Mac and Linux OS
- Dual-head DP/HDMI video interface
- 4K Ultra-HD resolution - supports up to 3840 x 2160 @ 60Hz
- Advanced configurable CAC port
- External power supply - Level VI efficiency
- Computer interface isolation while powered or unpowered
- Ensures all user data is completely isolated and no data is ever stored
- No external interfaces can be used, only keyboard, mouse and CAC devices accepted
- Secure channel switching with leak prevention, no hotkeys
- Front panel tactile buttons for secure channel switching and LED channel indicators
- Peripheral and authentication ports isolation for secure usage
- Tamper evident label and anti-tampering technology
- No wireless devices connected
- Ensures only trusted admin gains access

## APPLICATIONS

- Government Operations
- Defense Applications
- Secure Control Rooms
- Corporate Communications
- Server Operations
- Educational Administrations
- Medical Facilities
- Banking Network
- Insurance Data Centers
- Transit Management
- Industrial Operation
- Intelligence Communications



## KEYBOARD AND MOUSE EMULATION

The Secure KVM emulates (simulates) the presence of a keyboard and mouse for every attached computer through a USB cable. Both selected and non-selected computers maintain a constant connection with the unit's keyboard mouse emulation controllers, allowing for ultra-fast switching and restricting discovery of newly connected peripherals during switching operations. Emulation of keyboard and mouse also prevents direct connection between the peripherals and the connected computers, shielding systems from potential vulnerabilities.

## CAC SUPPORT

Many secure KVM switches support CAC devices, such as smart-card and biometric readers, bolstering security when using the device. However, IPGard takes CAC security even further, allowing users to assign specific peripheral devices to the KVM's CAC port. Once a peripheral device has been registered by an authenticated admin, users can then switch the connection between that device and the PC's along with KVM switching.

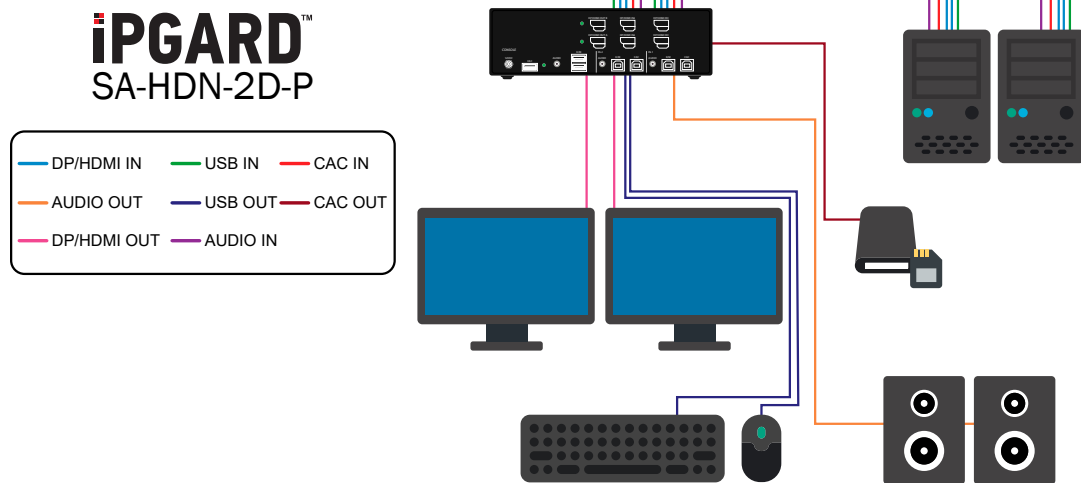
## SECURE VIDEO/AUX EMULATION

The KVM can simulate a generic EDID, allowing it to operate most of the connected DP and HDMI monitors in the market. Both selected and non-selected computers maintain a constant connection with the unit's video and EDID emulation controllers, allowing for ultra-fast switching and restricting discovery of newly connected monitors during switching operations. The unit prevents unwanted and unsecure data from getting transmitted between the computers and the display.

## SPECIFICATIONS

VIDEO		
Format	DisplayPort1.2a, HDMI2.0	
Input Interface	(4) DisplayPort, (4) HDMI	
Output Interface	(2) DisplayPort, (2) HDMI	
Resolution	Up to 4K (3840x2160 @ 60Hz)	
DDC	5 volts p-p (TTL)	
Input Equalization	Automatic	
Input Cable Length	Up to 20 ft.	
Output Cable Length	Up to 20 ft.	
USB		
Input Interface	(4) USB Type B	
Output Interface	(2) USB 1.1 Type A for KM Devices	
Emulation	USB 1.1 and USB 2.0 Compatible	
CAC	Configurable USB 2.0 Port	
AUDIO		
Audio Input	(2) 3.5mm stereo audio	
Audio Output	(1) 3.5mm stereo audio	
CONTROL		
Front Panel	Front panel SELECT buttons	
OTHER		
Power	External 100-240 VAC/ 12VDC3A @ 24W	
Dimensions	8.8" W x 2.63" H x 6.69" D	
Weight	3.85 lbs	
Approvals	NIAP PP 4.0, UL, CE, ROHS Compliant	
Operating Temp.	+32 to +104°F (0 to +40°C)	
Storage Temp.	-4 to 140°F (-20 to +60°C)	
Humidity	Up to 80% (no condensation)	
ORDERING INFORMATION		
Part No.	UPC	Description
SA-HDN-2D-P	686911124075	2-Port DH Secure Pro DP/HDMI KVM w/audio and CAC, PP 4.0. Includes: [SA-HDN-2D-P; PS12V3A]

## INSTALLATION DIAGRAM



**CALL US TOLL FREE:**  
**(888) 99-IPGARD | (702) 800-0005**  
**INFO@IPGARD.COM | WWW.IPGARD.COM**