

TECHNICAL SPECIFICATIONS

VIDEO	
Host Interface	(8) DisplayPort 20-pin F
User Console Interface	(2) DisplayPort 20-pin F
Max Resolution	3840 x 2160 @ 60Hz
DDC	5 volts p-p (TTL)
Input Equalization	Automatic
Input Cable Length	Up to 20 ft.
Output Cable Length	Up to 20 ft.
USB	
Signal Type	USB 1.1 and 1.0 Keyboard and Mouse only
USB Connectors	(4) USB Type B
User Console Interface	(2) USB Type A for keyboard/mouse connections
AUDIO	
Input	(4) Connector stereo 3.5 mm female
Output	(1) Connector stereo 3.5 mm female
POWER	
Power Requirements	12V DC, 3A power adapter with center-pin positive polarity
ENVIRONMENT	
Operating Temp	32° to 104° F (0° to 40° C)
Storage Temp	-4° to 140° F (-20° to 60° C)
Humidity	0-80% RH, non-condensing
CERTIFICATIONS	
Security Accreditation	Common Criteria Validated To NIAP, Protection Profile PSS Ver. 4.0
OTHER	
Emulation	Keyboard, mouse, and video
User Controls	Front-panel buttons

WHAT'S IN THE BOX

PART NO.	QTY	DESCRIPTION
SA-DPN-4D	1	4-Port DH Secure DisplayPort KVM with Audio
PS12VDC2A	1	12-VDC, 2-A power adapter with center-pin positive polarity.
	1	Quick Start Guide

NOTICE

The information contained in this document is subject to change without notice. iPGARD makes no warranty of any kind with regard to this material, including but not limited to, implied warranties of merchantability and fitness for a particular purpose. iPGARD will not be liable for errors contained herein, or for incidental or consequential damages in connection with the furnishing, performance, or use of this material. No part of this document may be photocopied, reproduced, or translated into another language without the prior written consent from iPGARD, Inc.

20170518



DESIGNED
AND MADE
IN THE USA

Toll Free: (888)-994-7427

Phone: (702) 800-0005

Fax: (702)-441-5590

WWW.IPGARD.COM

iPGARD™

SA-DPN-4D

4 Port DP secure KVM switch



Advanced 4-Port Secure
Dual-head DP KVM Switch
with Audio

Quick Start Guide

A full manual can be downloaded from
www.ipgard.com/documentation/

EDID LEARN

The KVM switch is designed to learn a connected monitor's EDID upon power up. In the event of connecting a new monitor to the KVM a power recycle is required.

The KVM switch will indicate the unit's EDID learn process is active by flashing the front panel's LEDs in sequential order. Starting with the LED above button "1" on the front panel, each LED will flash green for approximately 10 seconds upon beginning the EDID learn. Once all the LEDs stop flashing, the LEDs will cycle and the EDID learn will be complete.

If the KVM switch has more than one video board (such as dual-head and quad-head models), then the unit will continue to learn the EDIDs of the connected monitors and indicate the progress of the process by flashing the next port selection green and blue push-button LEDs respectively.

A monitor must be connected to the video output port located in the console space at the back of the KVM switch during the EDID learn process.

If the read EDID from the connected monitor is identical to the current stored EDID in the KVM switch, then the EDID learn function will be skipped.

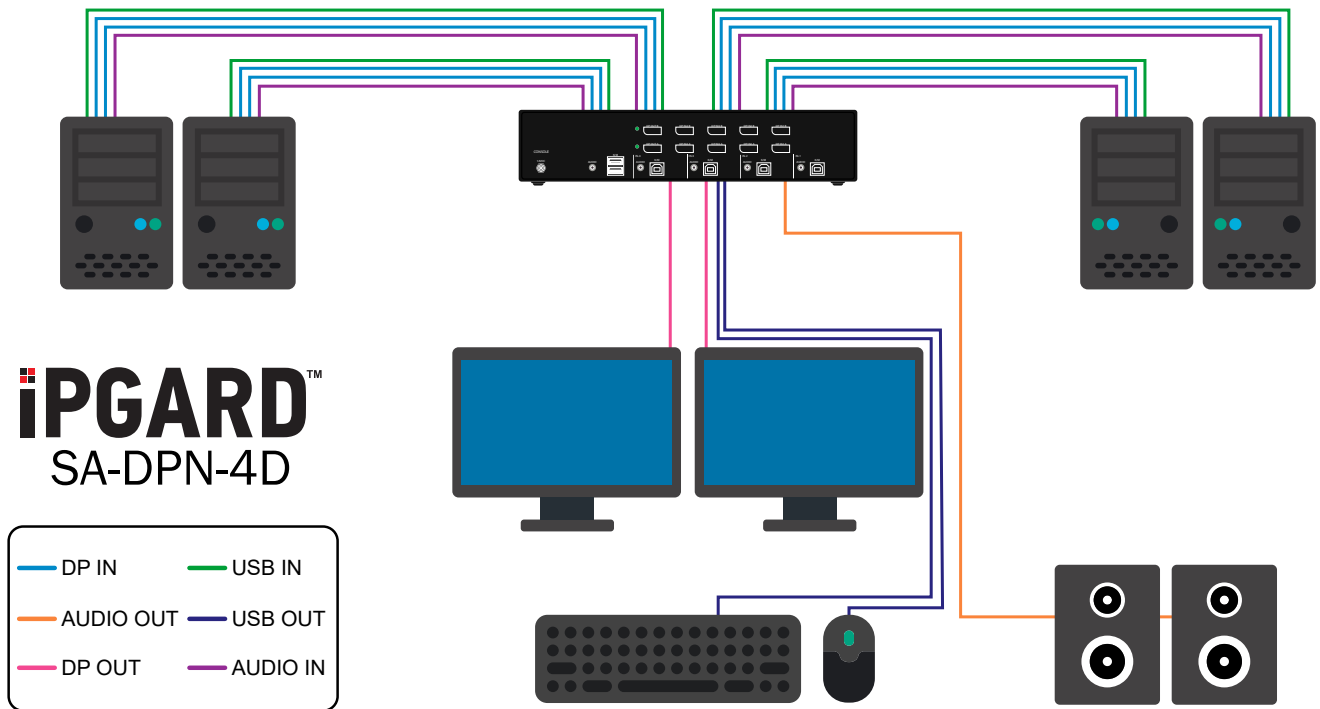


HARDWARE INSTALLATION

1. Ensure that power is turned off or disconnected from the unit and the computers.
2. Use DisplayPort cables to connect the DisplayPort output ports from each computer to the corresponding DP IN ports of the unit.
3. Use a USB cable (Type-A to Type-B) to connect a USB port on each computer to the respective USB ports of the unit.
4. Optionally, connect a stereo audio cable (3.5 mm to 3.5 mm) to connect the audio output of the computer(s) to the audio in ports of the unit.
5. Connect monitor(s) to the DP OUT console port of the unit using DisplayPort cable(s).
6. Connect a USB keyboard and mouse in the two USB console ports.
7. Optionally, connect stereo speakers to the audio out port of the unit.
8. Finally, power on the secure KVM switch by connecting a 12-VDC power supply to the power connector, and then turn on all the computers.

Note: You can connect two monitors to the dual-head KVM switch. The computer connected to port 1 will always be selected by default after power up.

Note: You can connect up to 4 computer to the 4 port KVM.



A full Manual can be downloaded from
www.ipgard.com/documentation/